


# PRODUCT SHEET

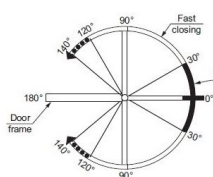
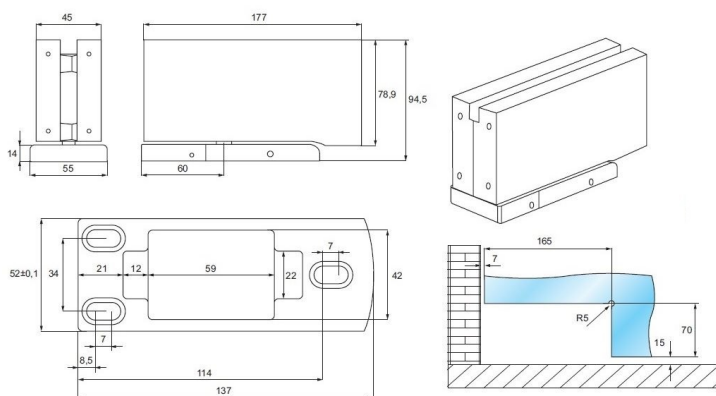
## Description:

Floor Hinge" Jump III",W/Soft Close NO HOLD,SS304,Brushed,150

## Item number:

15.24.272-0

Units	Box	Carton	HS Code	Barcode
Pcs.		4	8302100090	
				5704866479479



- Features:
1. Open angle: 140°
  2. Door hold open section: 90° and 140°-120° (Optional)
  3. Two speeds adjustable  
Valve 1: 90°-0°  
Valve 2: 30°-0°

Glass thickness	Application of rubber gasket Thickness (1.5 mm)
10 mm	4
12 mm	4
14 mm	2
16 mm	2

SISO A/S  
Mileparken 11  
DK-2740 Skovlunde  
Denmark  
VAT: DK 24786013

Phone +45 45 830 900  
www.siso.dk  
siso@siso.dk

Danske Bank  
Nytorv Branch  
Copenhagen  
SWIFT: DABADKKK

Account no.  
4180 3112 112936  
IBAN Account  
DK7230003112112936